

Date: 21st, April 2008

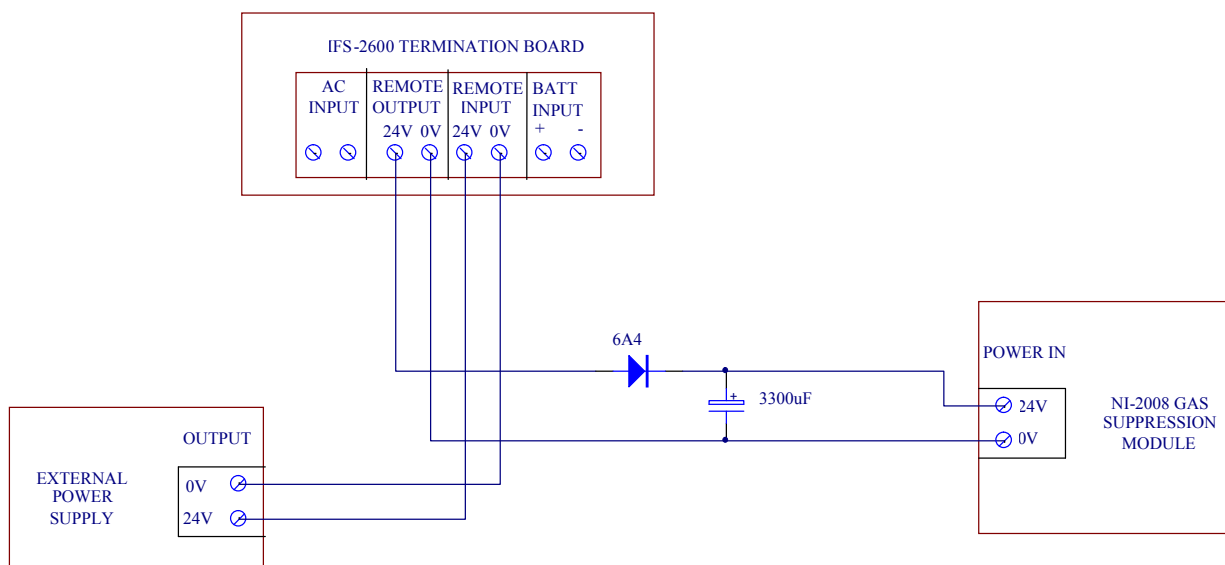
Affected Products: IFS-2600 gas release panels

A potential issue has been identified with IFS-2600 gas release panels where some panels fitted with an external power supply may restart an active gas release timer. If an affected panel was to lose 240Vac mains power during an active gas release timer countdown the timer may be restarted during switch over to battery supply. This issue only affects panels where the external power supply is a new switch mode supply and is monitored through the remote input terminals and the IFS-2008 gas release module is powered from the remote output

This issue can be solved by the following procedure as outline in the below drawing;

1. A 6A4 or P600G rectifier diode (Notifier part # 266) is to be installed in series with the external +27V output of the IFS-2600 termination board.
2. A 3300 μ F 50V Electrolytic Capacitor (Notifier part # 1248) should be installed across the +27V and 0V of the ancillary device.

Note: A diode and capacitor is required for each gas module powered in this way.



Notifier recommends that affected panels are fitted with the above solution to prevent any possible issues in the future.

If you have any question please do not hesitate to contact me.

Sincerely,



James Edwards
Product Manager