



**NOTIFIER**<sup>®</sup>  
by Honeywell

9 Columbia Way  
Baulkham Hills, NSW 2153  
PH 02-9894-1444 • FAX 02-9894-4193  
[www.notifier.com.au](http://www.notifier.com.au)

## Alarm Routing Equipment Interface (ARE) Installation Sheet - Released

7/11/2013 Rev: B

DOC-03-062 ECN13-0026

### 1 Product Overview

The Alarm Routing Equipment (ARE) interface provides a method of connecting the Alarm Routing Equipment (Brigade Interface) to the Fire Panel. There are 6 outputs to the ARE and 3 feedback status inputs from the ARE.

### 2 Installation



**WARNING:** Remove all power sources to the panel before installation. Leave the external and main power OFF until installation is complete.

#### 2.1 Mounting Options

1. Remove the existing blanking plate from the inner door.
2. Using the supplied screws fit the Alarm Signalling Equipment (ASE) the ARE Assembly.
3. The completed ARE Interface Assembly is mounted to the inner door using the flanged nuts. Once fitted the ASE device should be visible from the outside of the fire panel.

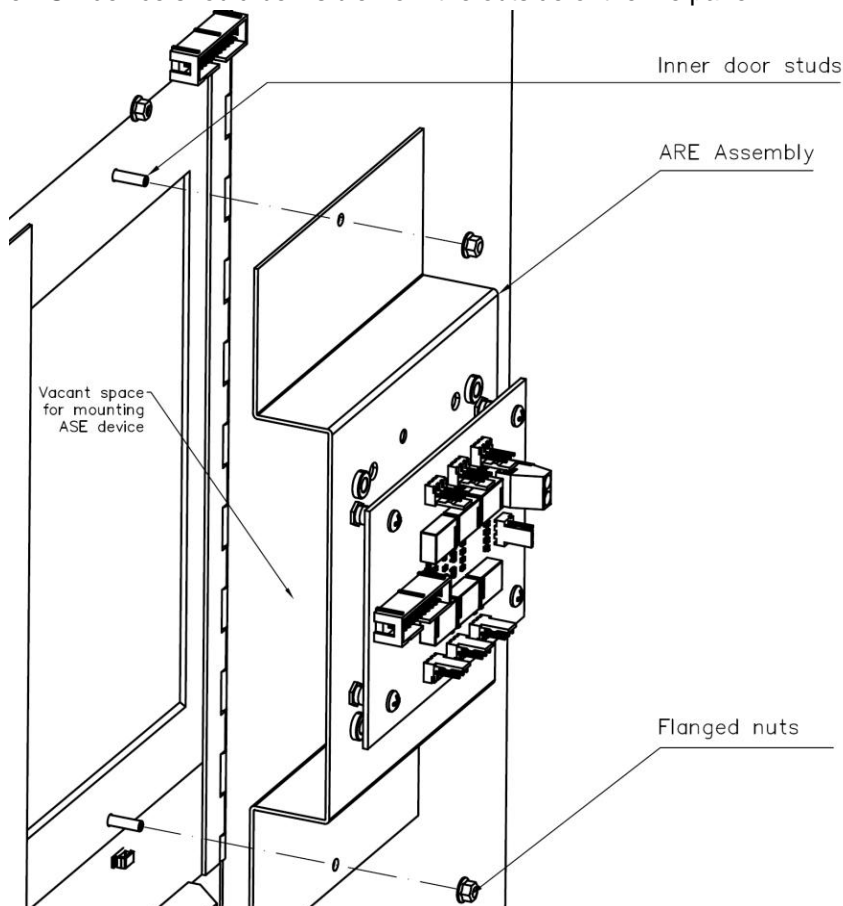


Figure 2-1 - Mounting ARE Interface Assembly to Inner Door

## 2.2 Connections

To connect the ARE Interface refer to the schematic shown on page 3.

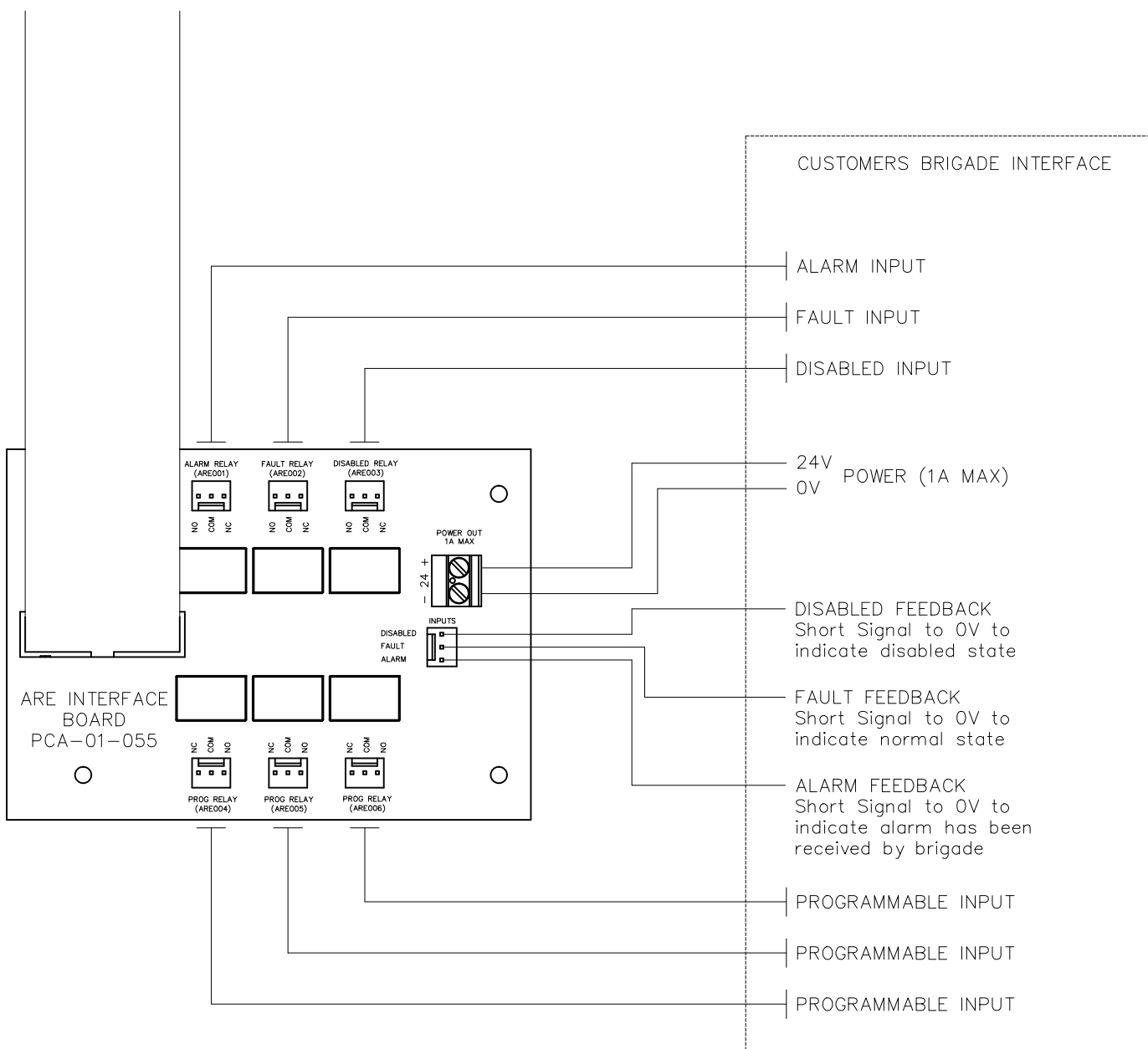
## 3 Supplemental Documentation

For Information on...	Refer to...	Doc No.
Programming the ARE	CFP-16 Manual (AUS)	DOC-01-022

**Table 1: Supplemental Documentation**

REV	ECN	DESCRIPTION	DATE	BY	CKD
A	12-0069	Initial Release	12.03.13	S.F.	C.B.
B	13-0026	Corrected ARE output labels	13.11.13	S.F.	C.B.

26-WAY  
RIBBON CABLE  
(to CFP-16  
keypad Brigade  
Interface)



ARE INTERFACE BOARD  
PCA-01-055

CUSTOMERS BRIGADE INTERFACE

- ALARM INPUT
- FAULT INPUT
- DISABLED INPUT
- 24V  
0V POWER (1A MAX)
- DISABLED FEEDBACK  
Short Signal to 0V to  
indicate disabled state
- FAULT FEEDBACK  
Short Signal to 0V to  
indicate normal state
- ALARM FEEDBACK  
Short Signal to 0V to  
indicate alarm has been  
received by brigade
- PROGRAMMABLE INPUT
- PROGRAMMABLE INPUT
- PROGRAMMABLE INPUT

COPYRIGHT This document is and shall remain the property of Honeywell Ltd. Unauthorised use of this document in any way is prohibited.

<p>9 Columbia Way Norwest Business Park Baulkham Hills NSW 2153 Australia Ph: +612 9894 1444 Fax: +612 9894 4193</p>	TITLE:	ARE SCHEMATIC TO SUIT CFP-16
	SYSTEM:	CFP-16
	SHEET 1 OF 1	NOT TO SCALE
	DWG No: DWG0926	

SIZE  
A2