



NOTIFIER[®]
by Honeywell

9 Columbia Way
Baulkham Hills, NSW 2153
PH 02-9894-1444 • FAX 02-9894-4193
www.notifier.com.au

ASY-01-015 – DA-Pre-Amp Controller Installation Sheet - Released

10/12/2013 Rev: C

DOC-03-042 ECN13-0106

1 Product Overview

- The DA-Pre-Amp Controller permits an operator to control the status of the DA and receive feedback.
- The DA-Pre-Amp Controller is compatible with the **DA-30**, **DA-60** and **DA-120** variants.
- This Installation Sheet describes how to fit the DA-Pre-Amp Controller.

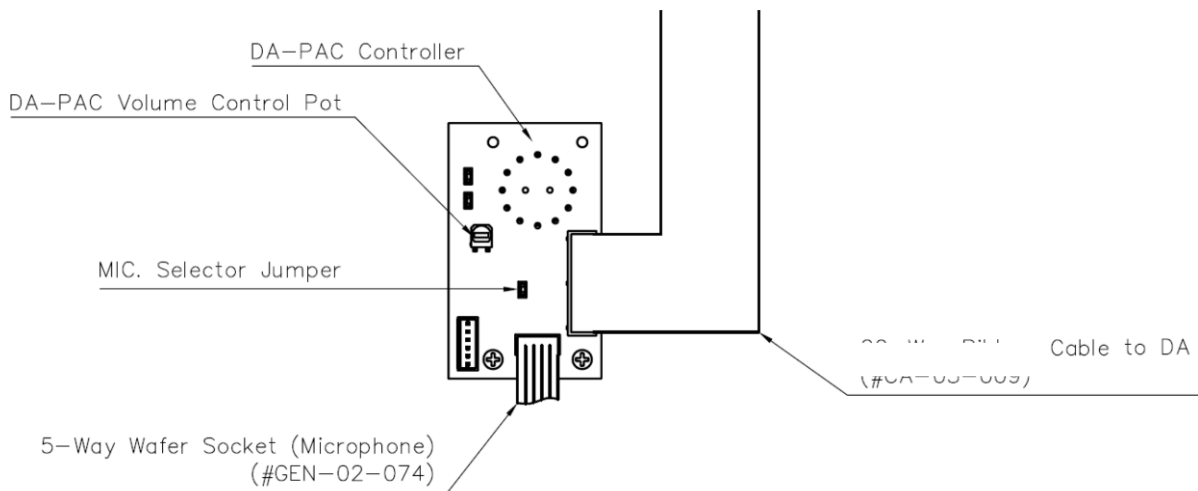
2 Installation



WARNING: The Digital Amplifier (DA) needs to be powered down before installation. Installation of the Pre Amp Controller should be performed by competent persons in accordance with the relevant standards as required for the installation.

2.1 Connections

1. Connect the DA-Pre-Amp Controller to the DA (Header Labelled "DISPLAY/PREAMP") with the 20-Way Ribbon Cable (#CA-03-012).



NOTE: If connecting the DA Pre-Amp Controller to a Microphone Selector the Microphone Selector Jumper needs to be removed.

For further details on connecting the Microphone Selector refer to the DA-BOWS Manual.

2.2 Mounting Options

1. Open the Inner Door of the Cabinet and remove the Blanking Plates.
2. Place the DA-Pre-Amp Controller Assembly (**#ASY-01-015**) over the M3 Studs making sure that the Evacuation Control Label is facing outwards and is secured to the Studs with the M3 Flanged Nuts.

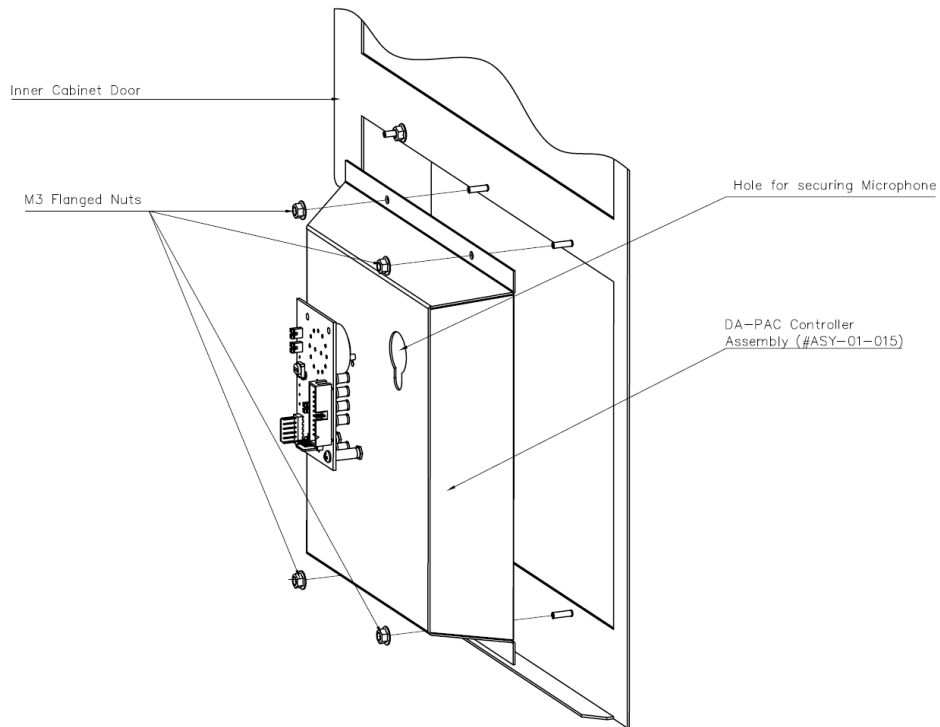


Figure 2-1: Fitting DA-PAC Assembly

3. Secure the Microphone to the front of the BOWS Bracket.

2.3 Testing

1. Power up the unit, hold down the Microphone Push to talk (PTT) button, speak in to the microphone and if required adjust the volume by rotating the Pre-Amplifier Volume Control Pot. If further adjustment is needed, adjust the microphone and main volume controls on the DA.

3 Supplemental Documentation

For Information on...	Refer to...	Doc No.
MIC Selector and DA BOWS	Notifier DA Series BOWS Installation and Programming Manual	DOC-01-004

Table 1: Supplemental Documentation