



**NOTIFIER**<sup>®</sup>  
by Honeywell

9 Columbia Way  
Baulkham Hills, NSW 2153  
PH 02-9894-1444 • FAX 02-9894-4193  
[www.notifier.com.au](http://www.notifier.com.au)

## Notifier Digital Voice Command (DVC) Product Installation Document

30/11/2010 Rev: 1.00

DOC-03-036 ECN10-0189

### 1. Product Overview

The Digital Voice Command (DVC) is the heart of an integrated, full-featured Audio Command Center. It combines the capabilities of a powerful digital audio processor, an event-driven audio message generator and a router. It is designed to use with Digital Audio Amplifiers (DAA). There are two versions of DVC. 1. Wire, 2. Fiber

### 2. Installation



**WARNING:** Installation should be performed by competent persons in accordance with the relevant standards as required for the installation. Honeywell Ltd accepts absolutely no liability for the suitability, placement or settings of the speakers within an installation.

1. Pick the pre-assembled DVC-KD kit. (Refer to Document 52709, DVC-KD Install sheet for more details).

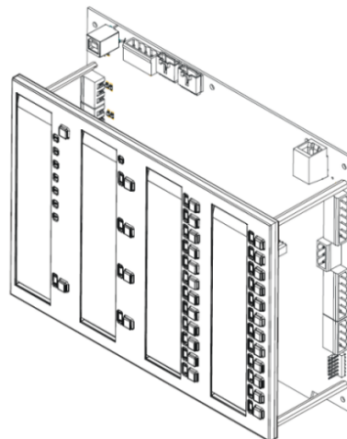


Figure 1, DVC-KD Kit

2. Note the terminations and connections to DVC as shown in figure-2.

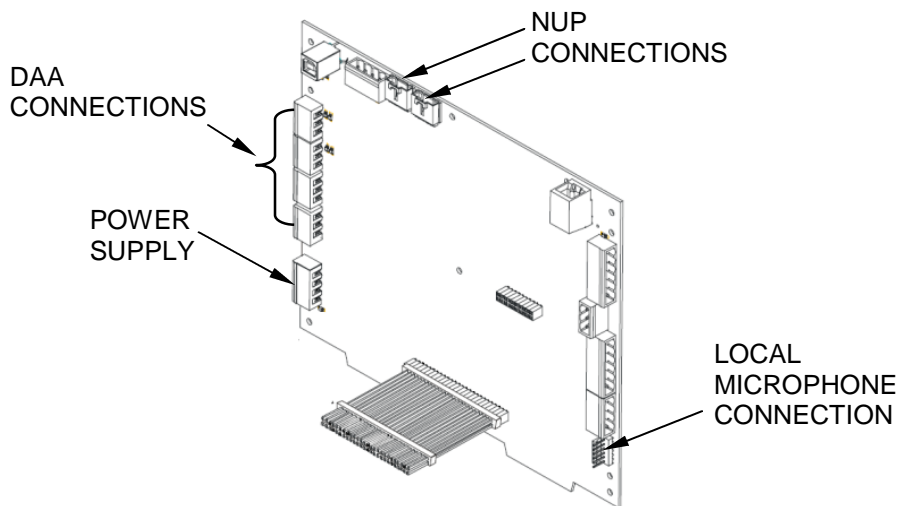


Figure 2, DVC Connections

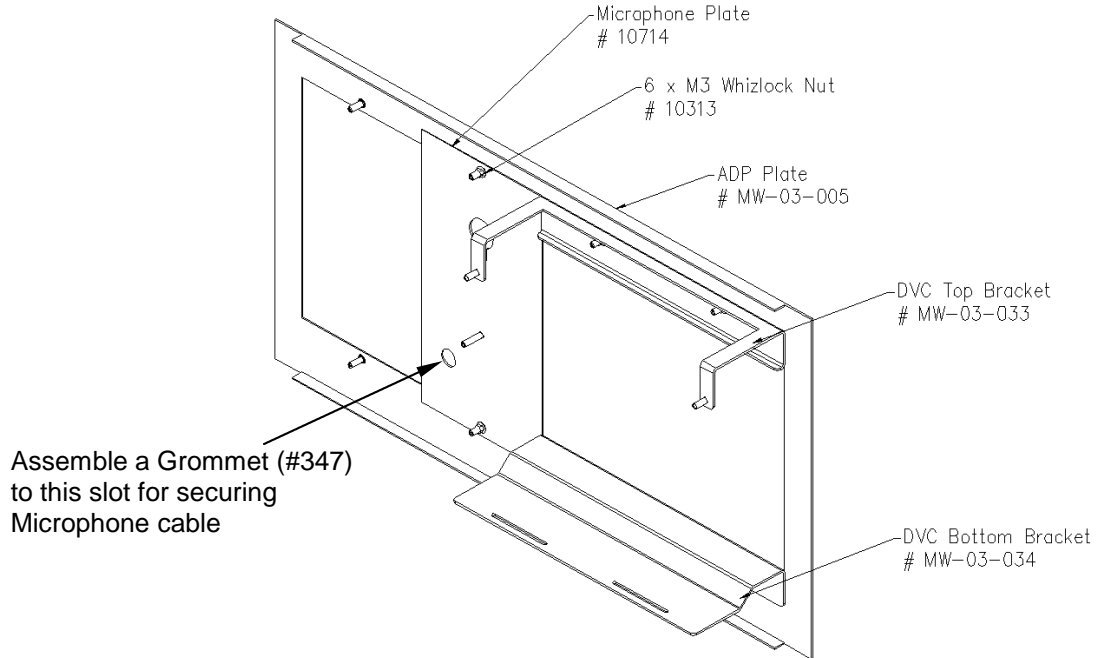
3. Connect the DVC Top Bracket (#MW-03-033), DVC Bottom bracket (#MW-03-034) & Microphone Plate(#10714)

→ To the ADP plate for 18U/28U/40U cabinets (as shown in Figure 3)

→ To the inner door for CAB650/900

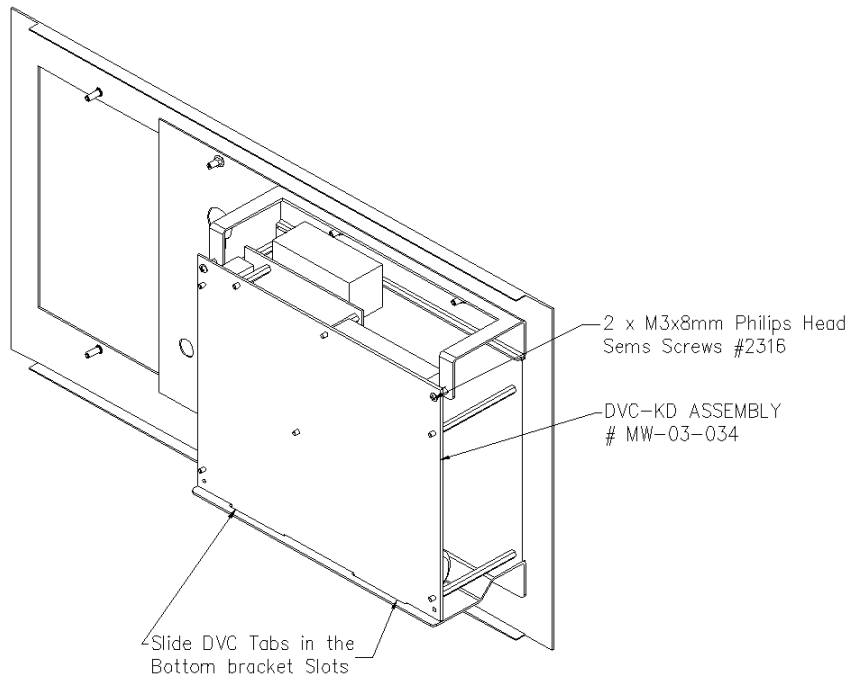
Using six M3 Whiz lock nuts (#10313).

**Note** - Do not tighten the nuts completely until you connect the DVC-KD kit.



**Figure 3, Top & Bottom DVC Brackets, Microphone Plate attached to ADP Plate**

4. Attach the DVC-KD kit to the brackets by sliding the tabs of DVC card into the slots on bottom bracket and securing it to the top bracket with two M3x8mm Philips Head Sems screws as shown in figure 4.



**Figure 4, DVC- ADP assembly**

5. Refer to the DVC manual (#52411 Rev I) for more information.

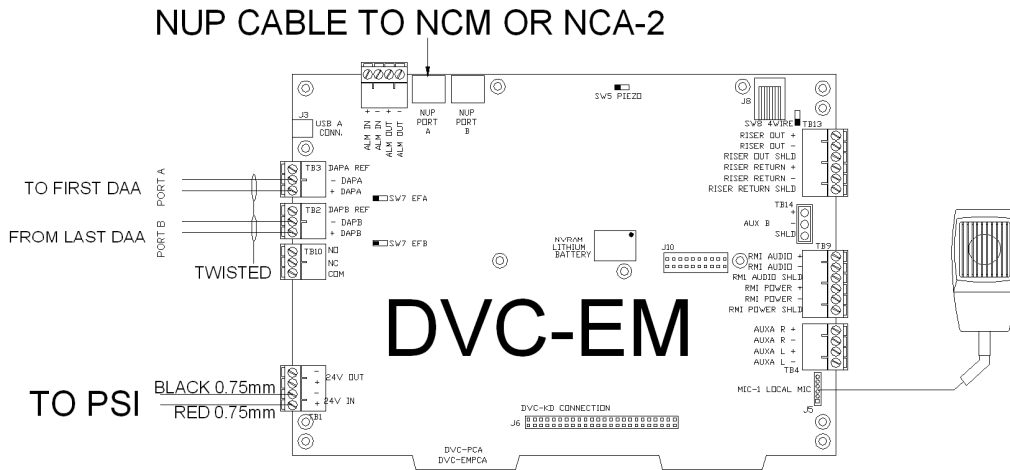


Figure 5, Wire DVC – Local Microphone Connection Diagram

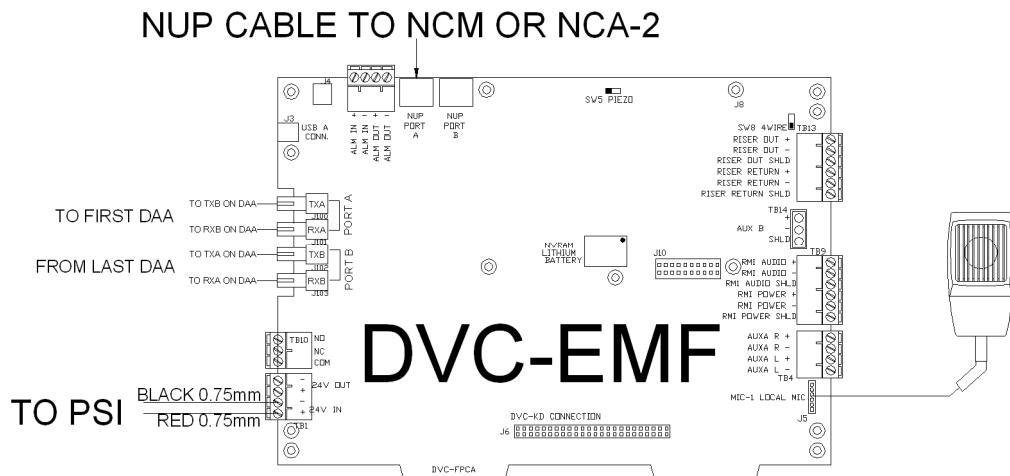


Figure 6, Fiber DVC – Local Microphone Connection Diagram

### 3. Components

The DVC kit assembly requires following components, as outlined in Table 1.

Part No.	Description	Qty
347	Grommet	1
2316	M3 x 8 Philips Head Sems Screws	2
10313	M3 Whiz lock Nuts	6
10714	Microphone Plate	1
FG-25-004	DVC-KD, DVC Keypad – 24 x Programmable	1
FG-25-001	DVC – EM, Digital Voice Command, Wire	1
FG-25-002	DVC – EMF, Digital Voice Command, Multimode Fiber	
MW-03-033	DVC Top Bracket	1
MW-03-034	DVC Bottom Bracket	1

Table 1: Components

### 4. Supplemental Documentation

For information on...	Refer to...	Part No.
DVC	DVC – Installation, Programming & Operations Manual	52411
52709	DVC – KD Installation Sheet	1

Table 2: Supplemental Documentation