



NOTIFIER[®]
by Honeywell

9 Columbia Way
Baulkham Hills, NSW 2153
PH 02-9894-1444 • FAX 02-9894-4193
www.notifier.com.au

Notifier 60W Digital Amplifier (DA-60) Product Installation Document

16/07/2009 Rev: 1.00

DOC-03-007

ECN09-053

1. Product Overview

The DA-60 Building Occupant Warning System (BOWS) provides emergency tones and voice messages through 100V loudspeakers to aid in the evacuation of occupants from buildings during emergency situations.

2. Installation



WARNING: Installation should be performed by competent persons in accordance with the relevant standards as required for the installation. Honeywell Ltd accepts absolutely no liability for the suitability, placement or settings of the speakers within an installation.

1. Remove power from the panel.
2. Fit the supplied standoffs to the CHS style mounting plate.
3. Mount the DA-60 as shown in Figure 1 and use the supplied screws to fasten it to the CHS mounting plate.
4. Connect the 20 way ribbon cable from the DA controller & pre-amp to the DA-60 using the 20 way header as per Figure 1.

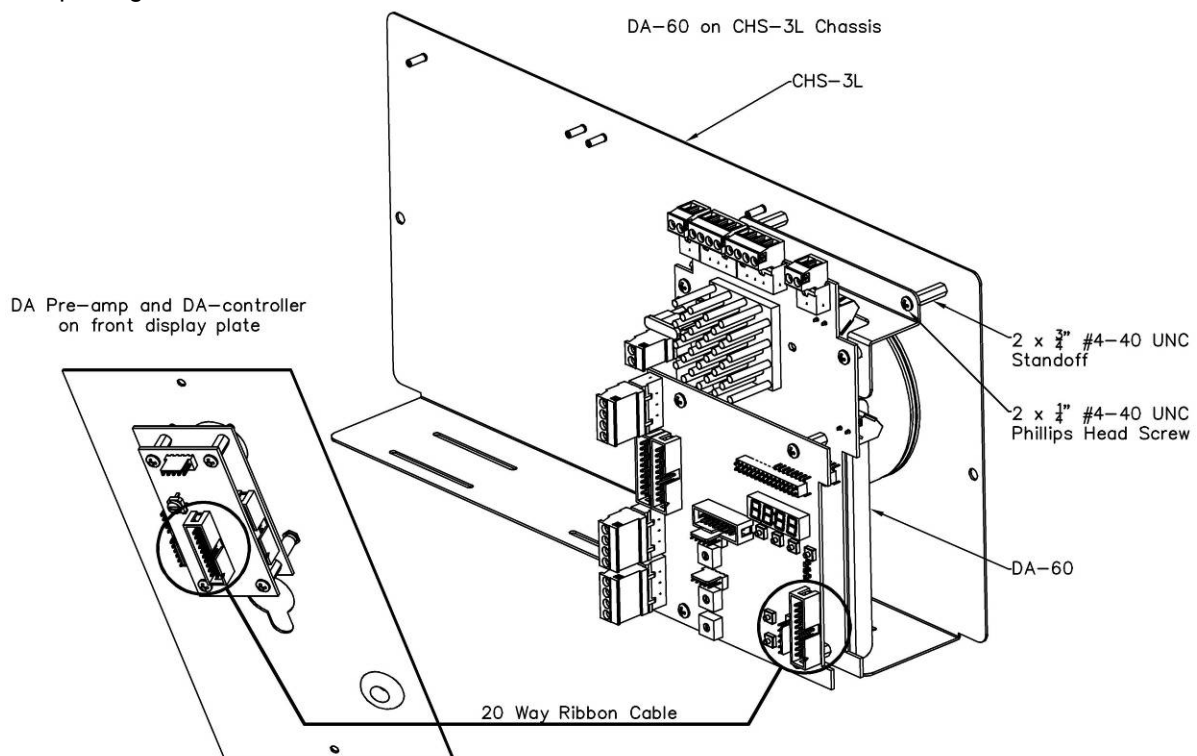


Figure 1 - DA-60 on CHS-3L connected to DA Controller & Preamp

5. Wire in the 24V battery backed power supply to the 0V and 24V terminals on the DA-60; see Figure 2.
6. Complete the pre power up checks as described in the DA manual prior to applying power to the DA-60.
7. Refer to the DA manual for information on programming and connection of ancillaries.



NOTE: Do not remove the red jumper fitted to the ribbon cable header on the left hand side of the DA-60 unless networking with another DA module. Refer to manual for detailed connection and programming information of networked systems.

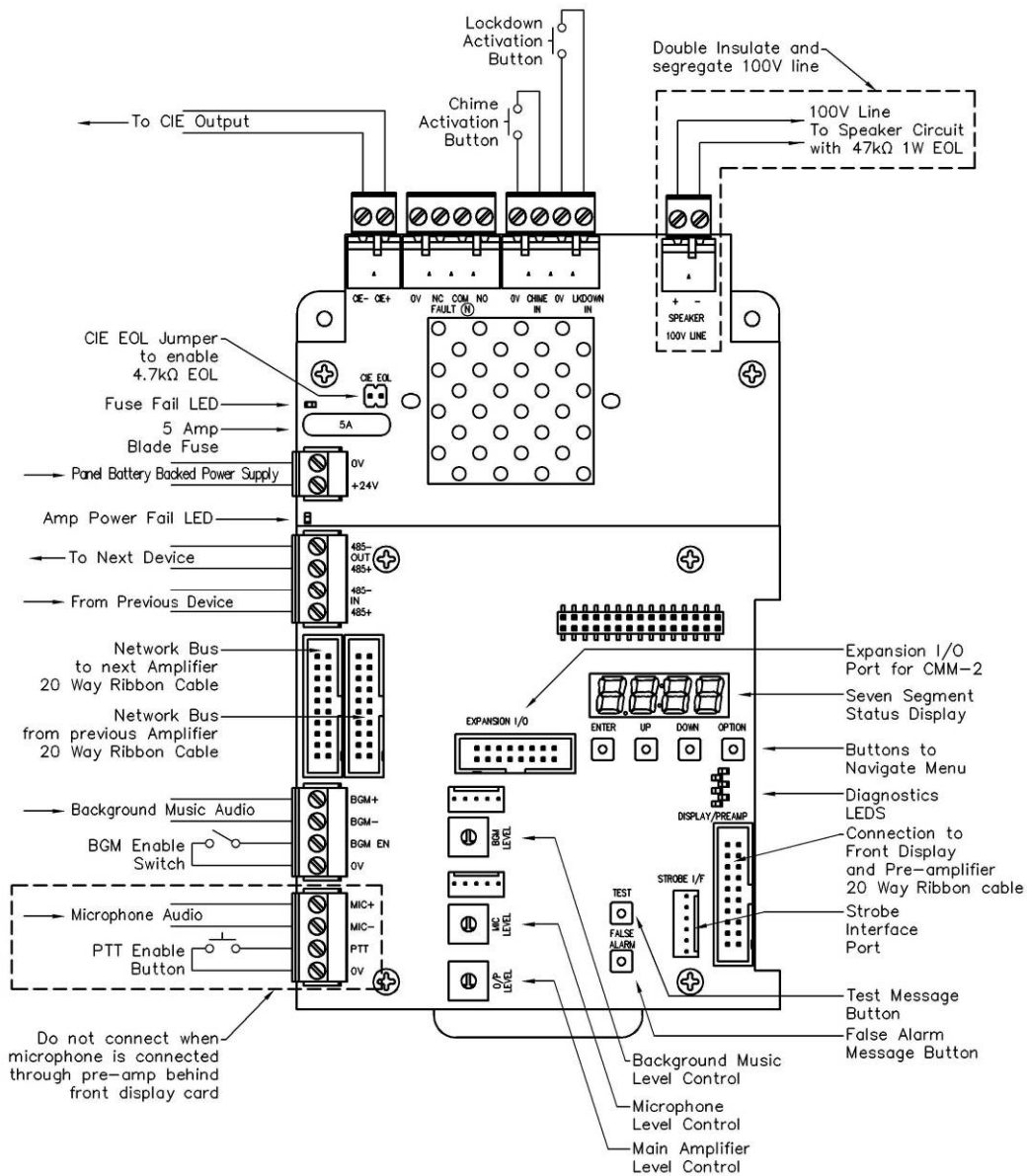


Figure 2 - DA-60 Connection Diagram

3. Components

The DA-60 kit (ASY-02-003) is supplied with the components outlined in Table 1.

Part No.	Description	Qty
PCA-01-009	DA-60 BOWS – 60W Digital Amplifier with built-in tones and voice messages	1
GEN-01-001	4-40 x 5/16" SEMS Philips head screw	2
GEN-01-002	4-40 UNC Spacers, 19mm height	2
-	47K, 1 Watt resistor fitted to the speaker output	1
-	RIB-20-0340 - 340mm, 20 way ribbon cable for network connection	1
DOC-01-004	Notifier DA Series BOWS – Installation and Programming Manual	1

Table 1: Components

4. Supplemental Documentation

For information on...	Refer to...	Part No.
DA Series Amplifiers	Notifier DA Series BOWS – Installation and Programming Manual	DOC-01-004

Table 2: Supplemental Documentation