

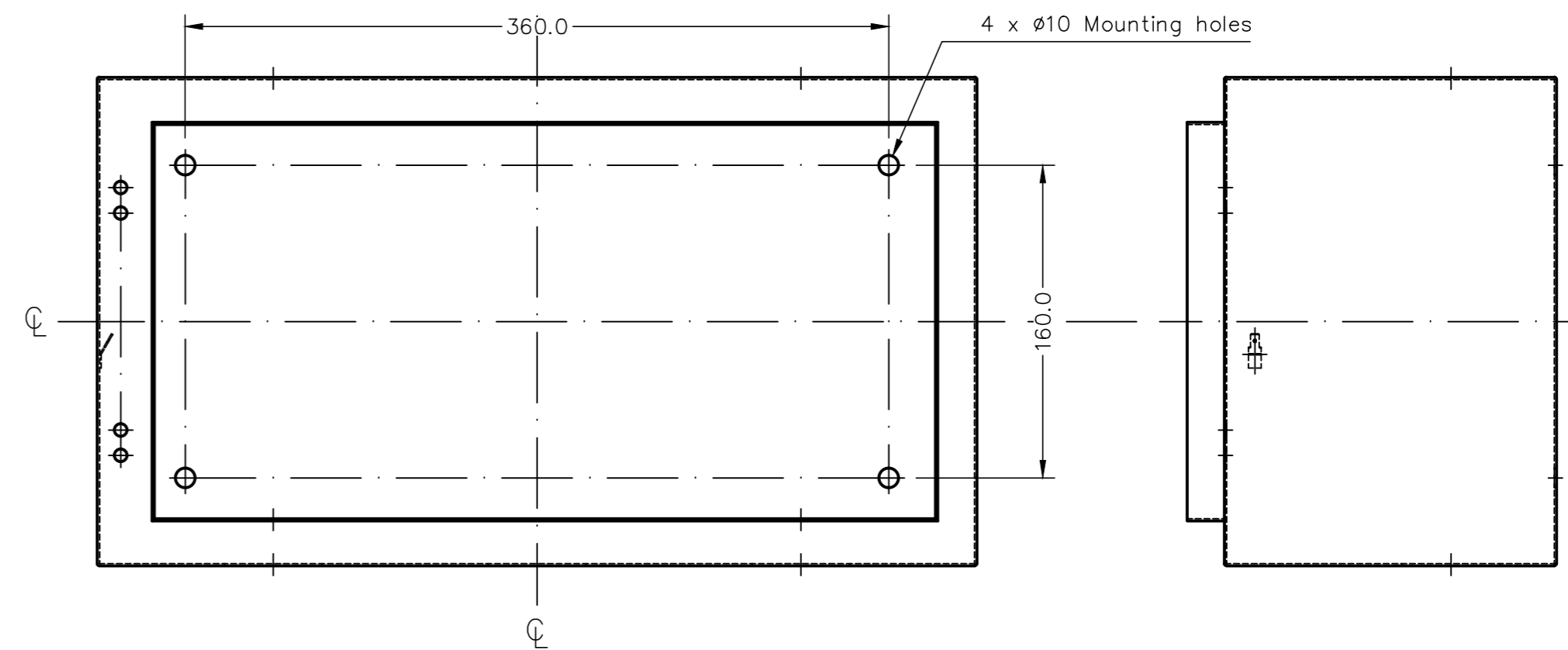
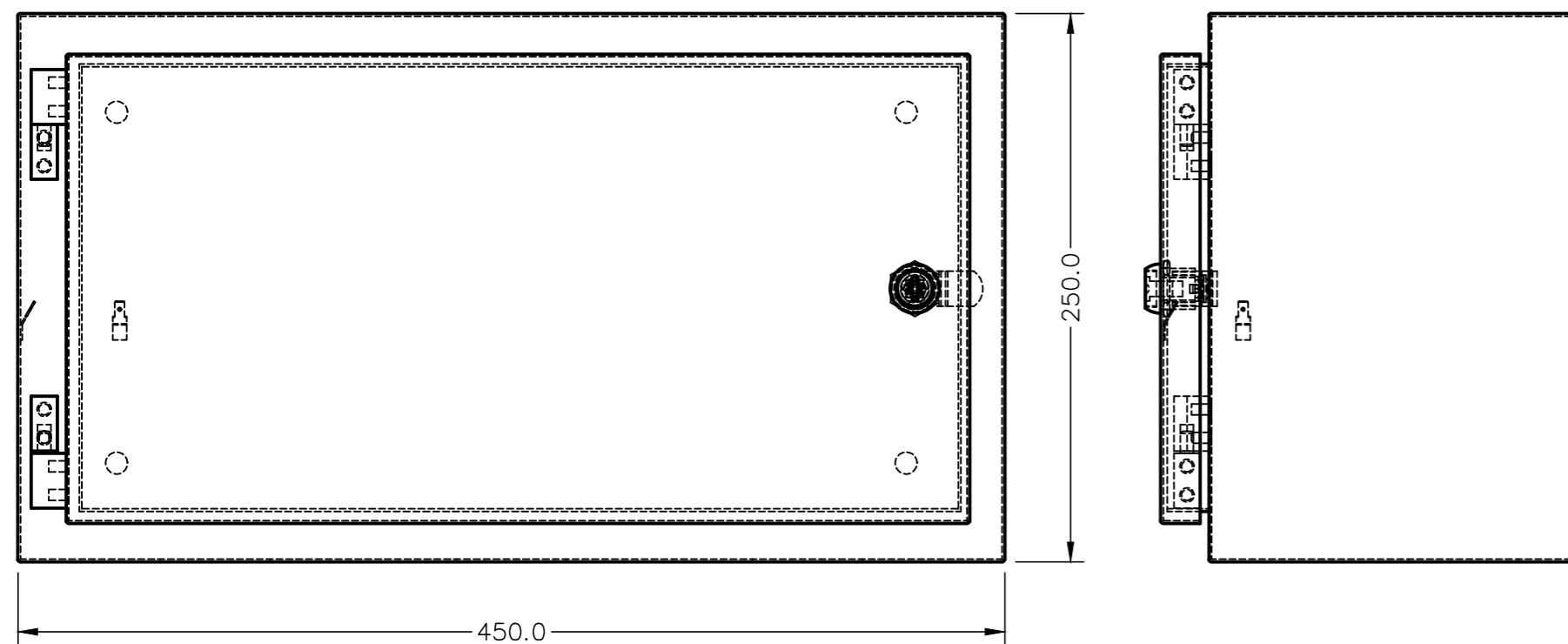
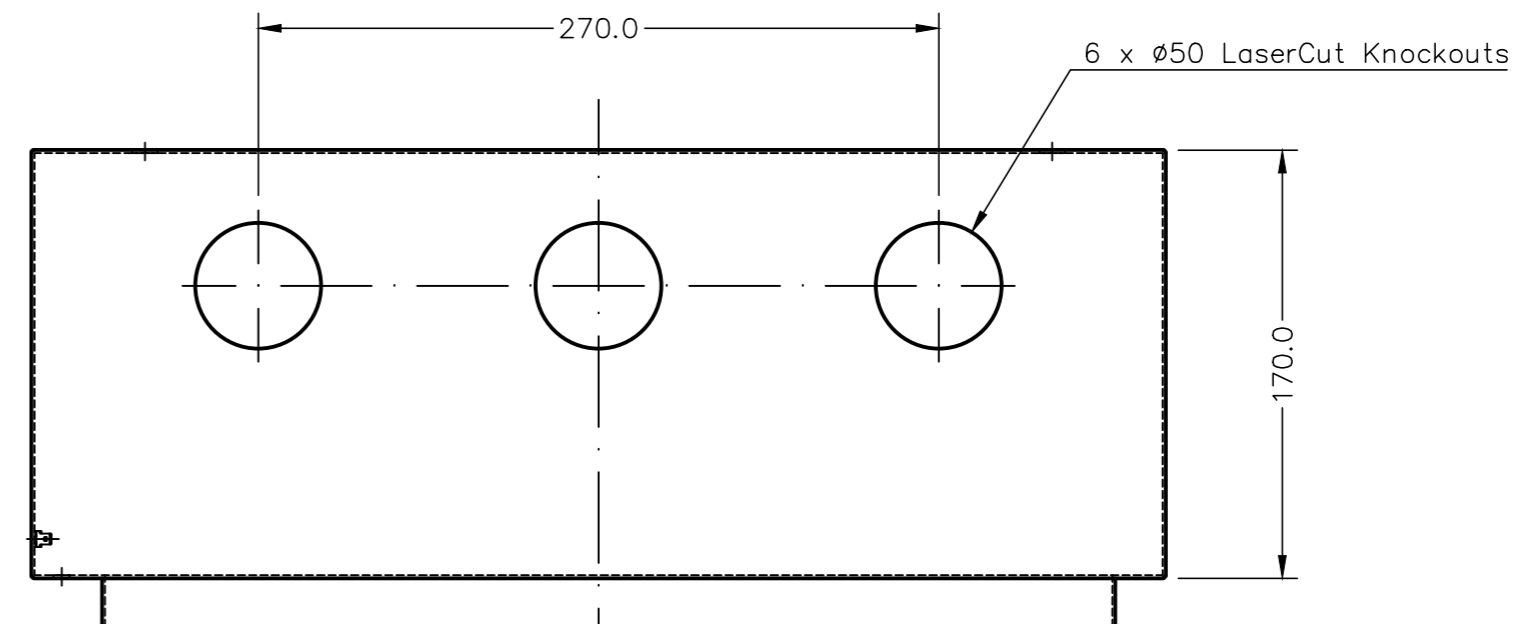
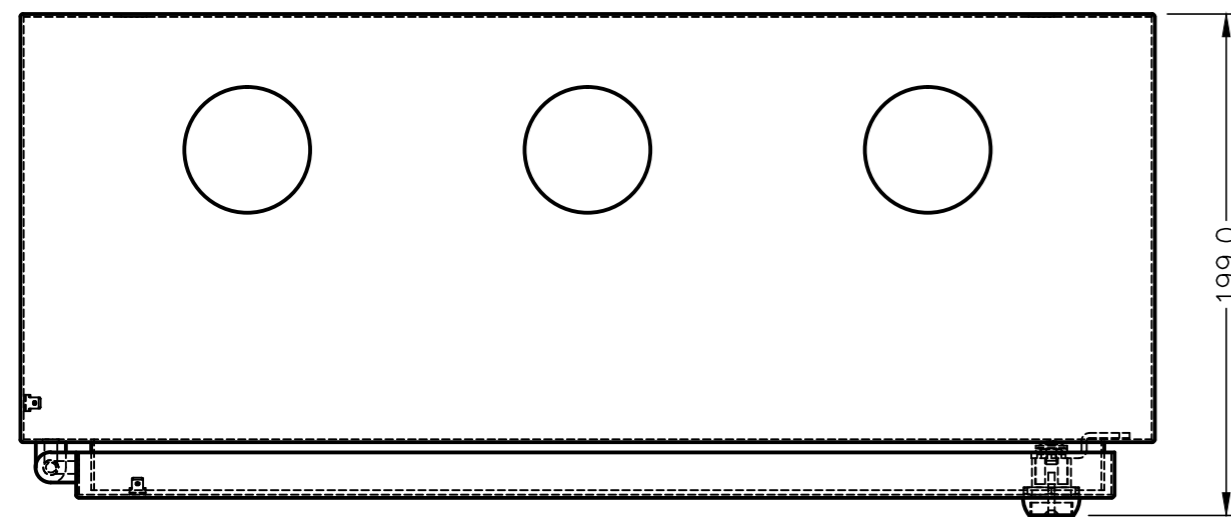
ONLY USE FOR CONSTRUCTION IF REV 'CKD' IS INITIALLED!					
REV	ECN	DESCRIPTION	DATE	BY	CKD
A	13-0076	Initial Release	10.10.13	L.H.	S.F.

DIMENSIONS IN MILLIMETRES

Notes:

- The 6 x  $\phi 50$  Lasercut knockouts 3 on top, 3 on bottom.

PANEL DETAILS	
Panel Type:	-
Battery Size:	33AH Max
Cabinet Model:	CAB650/900 Battery Box
Cabinet Depth:	199MM (including door)
Cabinet Colour:	Varies - dependent on part No.
Cabinet Finish:	See Notes
COMPONENTS LIST	
DESCRIPTION	QTY



CAB650/900 Battery Box with door closed

CAB650/900 Battery Box with door removed

COPYRIGHT This document is and shall remain the property of Honeywell Ltd. Unauthorised use of this document in any way is prohibited.

**NOTIFIER**  
by Honeywell  
9 Columbia Way  
Norwest Business Park  
Baulkham Hills  
NSW 2153  
Australia  
Ph: +612 9894 1444  
Fax: +612 9894 4193

TITLE:	CAB650/900 BATT BOX PRESENTATION DRAWING	
SYSTEM:	CAB650 / CAB900	
SHEET	1 OF 1	NOT TO SCALE
DWG No:	DWG0964	SIZE A2