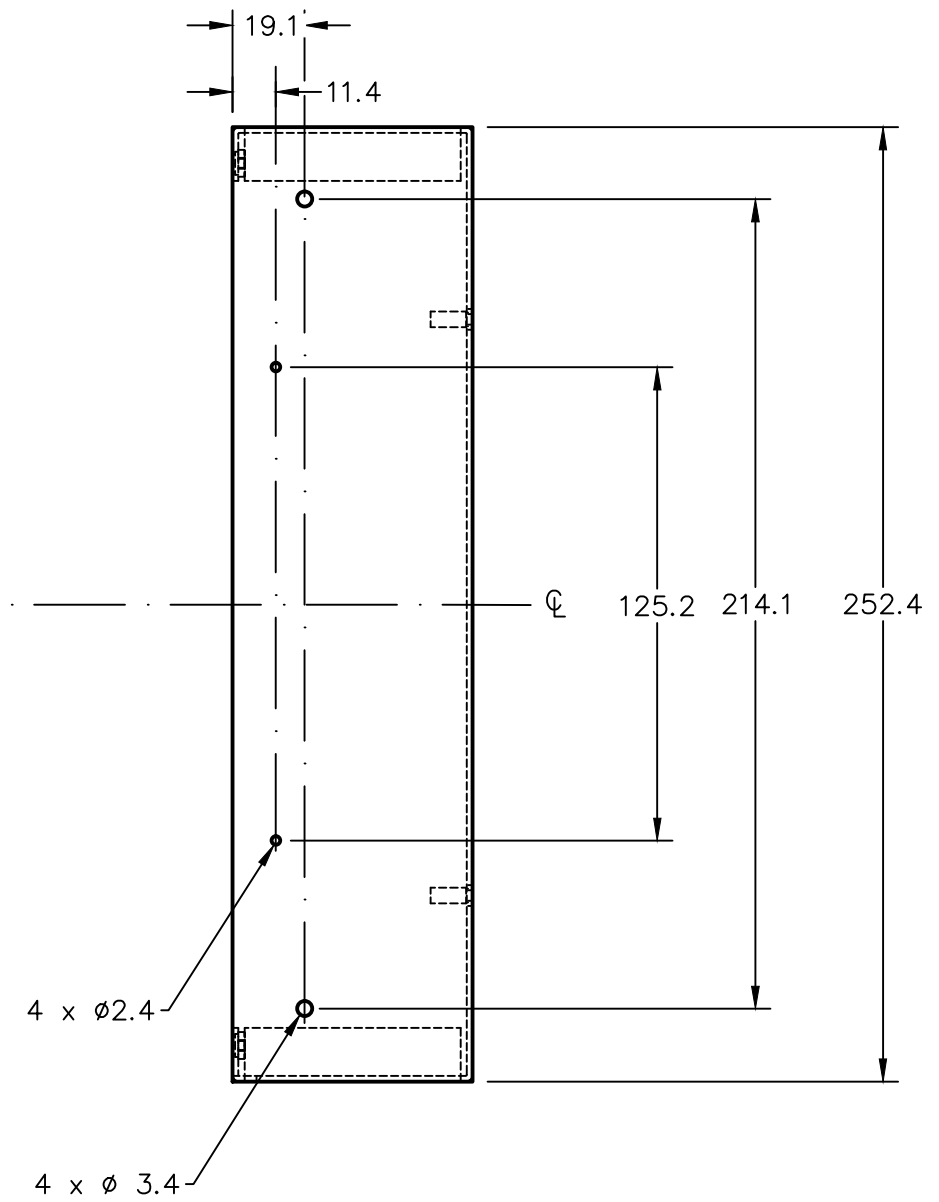
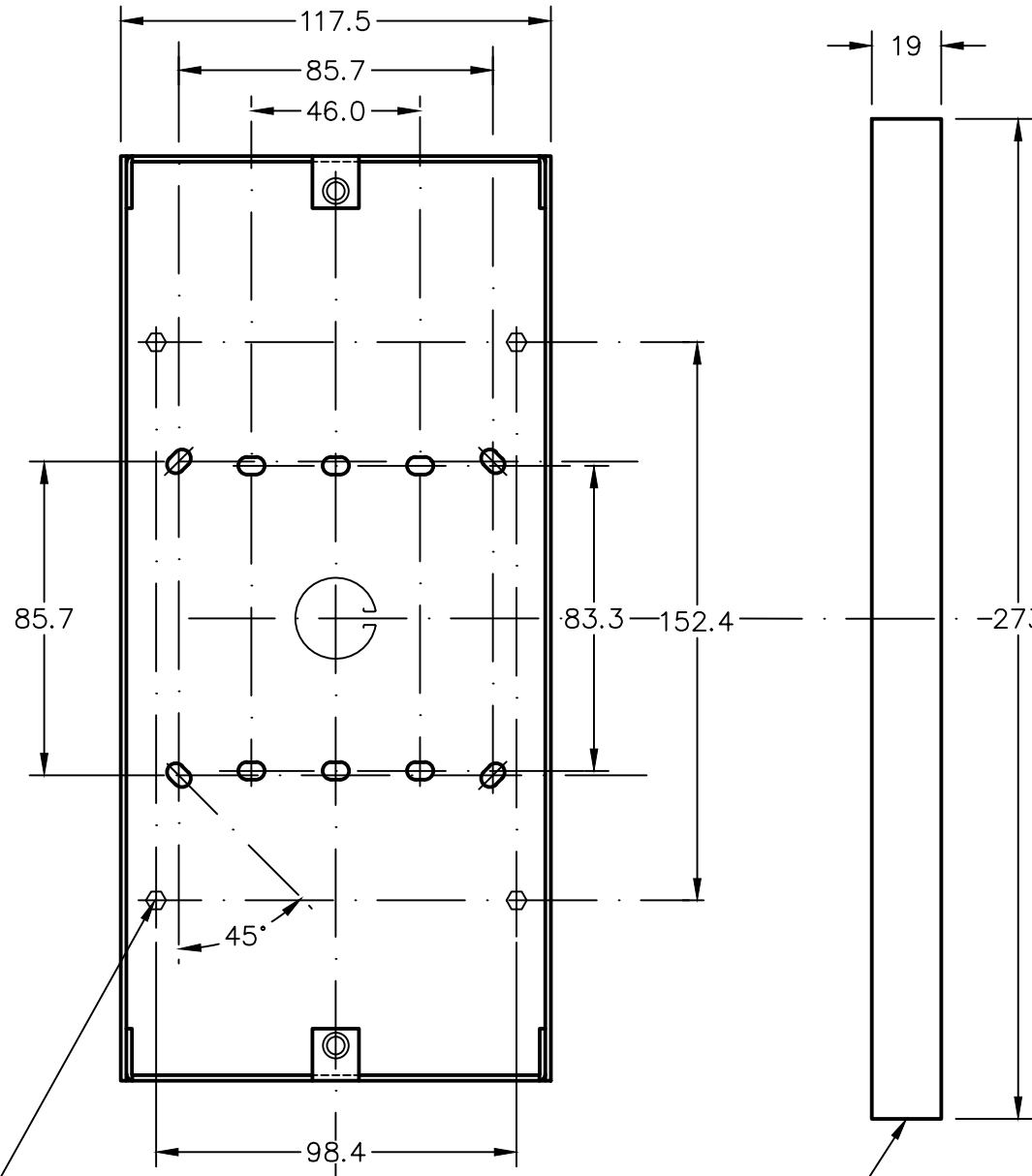


1 2 3 4 5 6 7 8 9 10

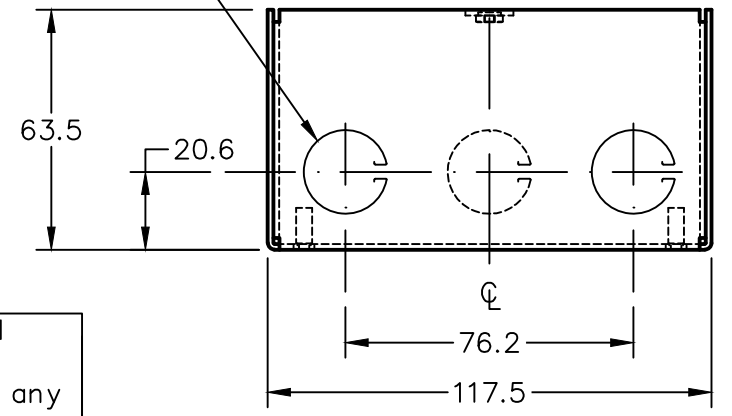
ONLY USE FOR CONSTRUCTION IF REV 'CKD' IS INITIALLED!					
REV	ECN	DESCRIPTION	DATE	BY	CKD
A	14-0008	First Release	10.03.14	J.C.	S.F.
B	14-0019	Added depth dimension	09.04.14	S.F.	J.C.

A
B
C
D
E
F
G
H



4.8 x 8 SLOT (10) PLACES
6 x Ø22.2 KNOCKOUTS

DOOR



DIMENSIONS IN MILLIMETRES

COPYRIGHT This document is and shall remain the property of Honeywell Ltd. Unauthorised use of this document in any way is prohibited.

NOTIFIER
by Honeywell
9 Columbia Way
Norwest Business Park
Baulkham Hills
NSW 2153
Australia
Ph: +612 9894 1444
Fax: +612 9894 4193

TITLE: ABF-1DB BACKBOX PRESENTATION DRAWING
Part Number: FG-72-006
SHEET 1 OF 1 NOT TO SCALE
DWG No: DWG0991
SIZE A3