

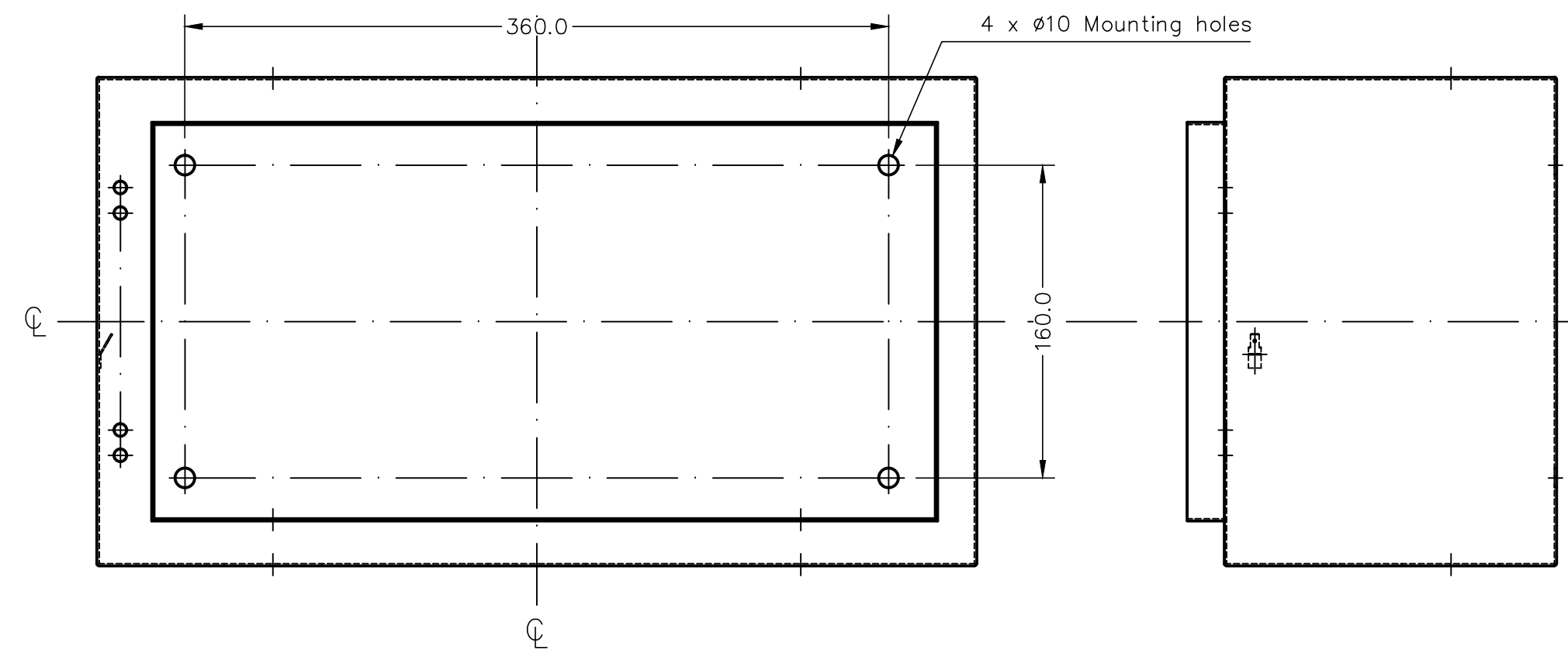
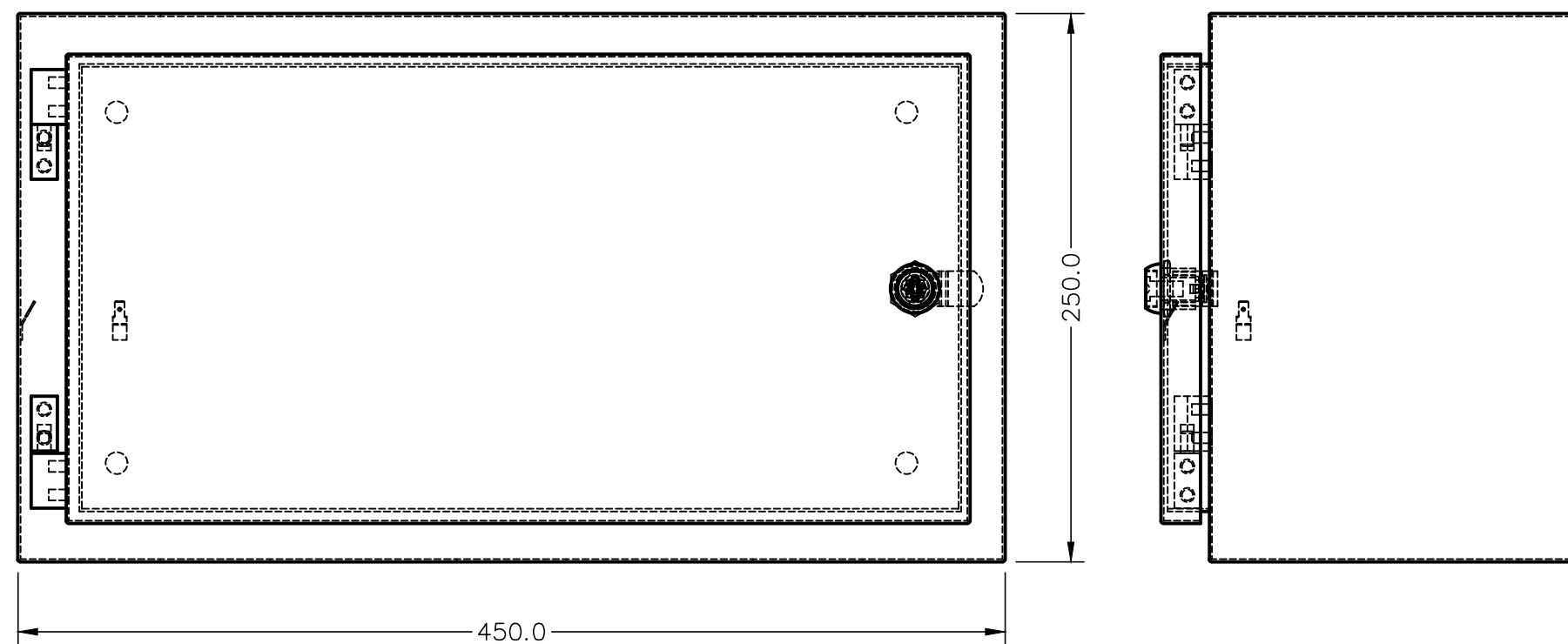
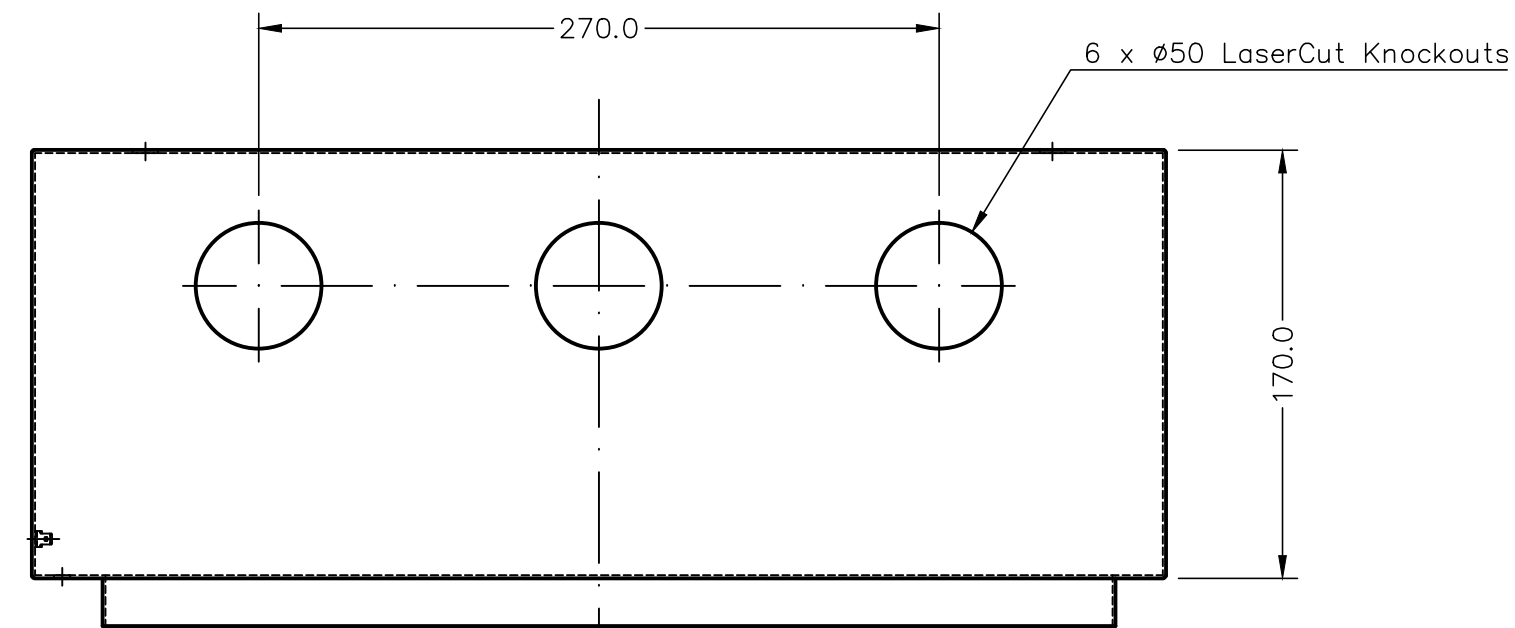
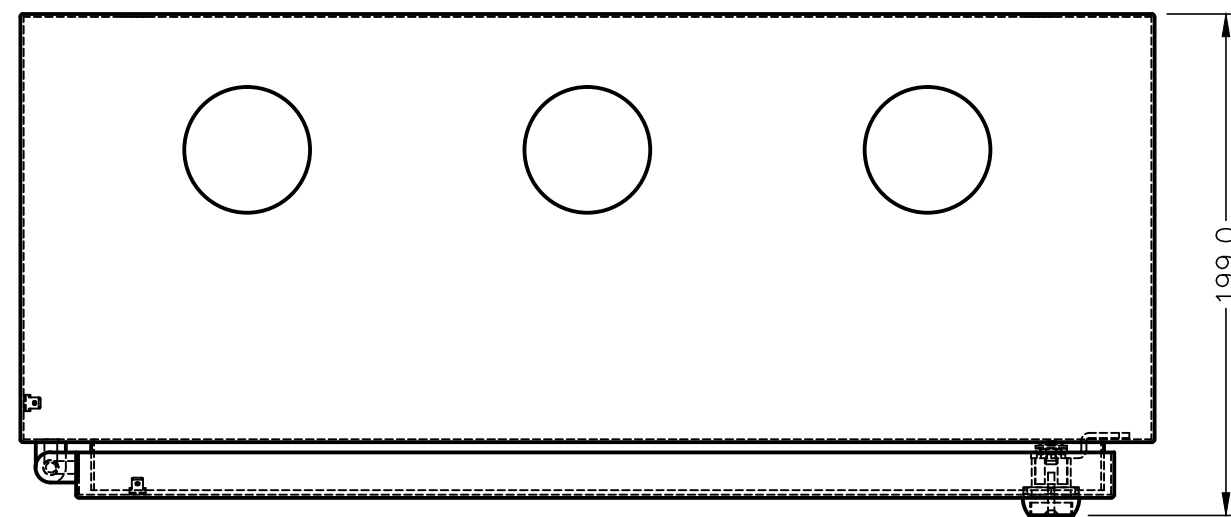
ONLY USE FOR CONSTRUCTION IF REV 'CKD' IS INITIALLED!					
REV	ECN	DESCRIPTION	DATE	BY	CKD
A	13-0076	Initial Release	10.10.13	L.H.	S.F.

DIMENSIONS IN MILLIMETRES

Notes:

- The 6 x $\phi 50$ Lasercut knockouts 3 on top, 3 on bottom.

PANEL DETAILS	
Panel Type:	-
Battery Size:	33AH Max
Cabinet Model:	CAB650/900 Battery Box
Cabinet Depth:	199MM (including door)
Cabinet Colour:	Varies - dependent on part No.
Cabinet Finish:	See Notes
COMPONENTS LIST	
DESCRIPTION	QTY



CAB650/900 Battery Box with door closed

CAB650/900 Battery Box with door removed

COPYRIGHT This document is and shall remain the property of Honeywell Ltd. Unauthorised use of this document in any way is prohibited.

NOTIFIER
by Honeywell
9 Columbia Way
Norwest Business Park
Baulkham Hills
NSW 2153
Australia
Ph: +612 9894 1444
Fax: +612 9894 4193

TITLE:	CAB650/900 BATT BOX PRESENTATION DRAWING
SYSTEM:	CAB650 / CAB900
SHEET 1 OF 1	NOT TO SCALE
DWG No: DWG0964	SIZE A2