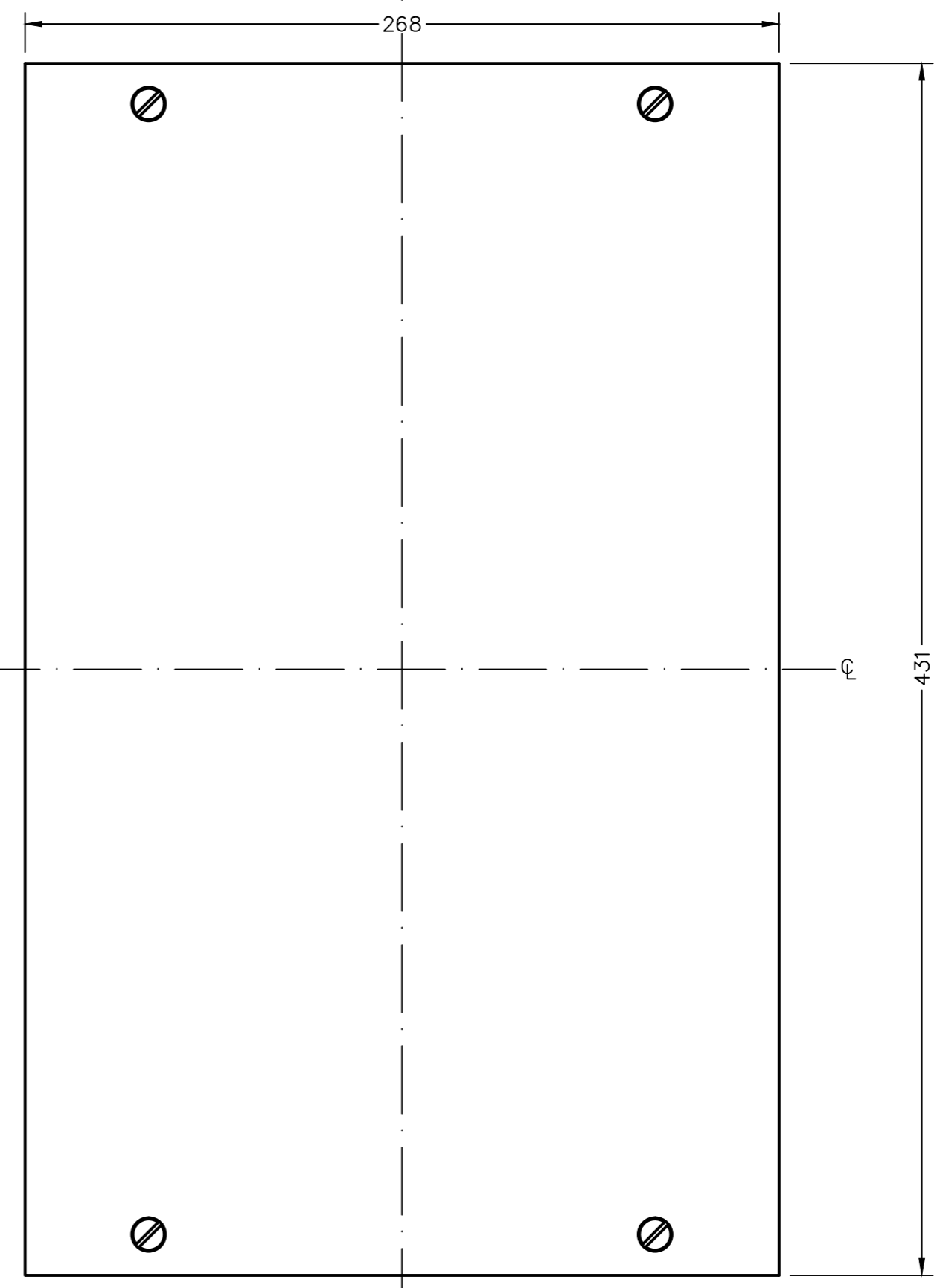
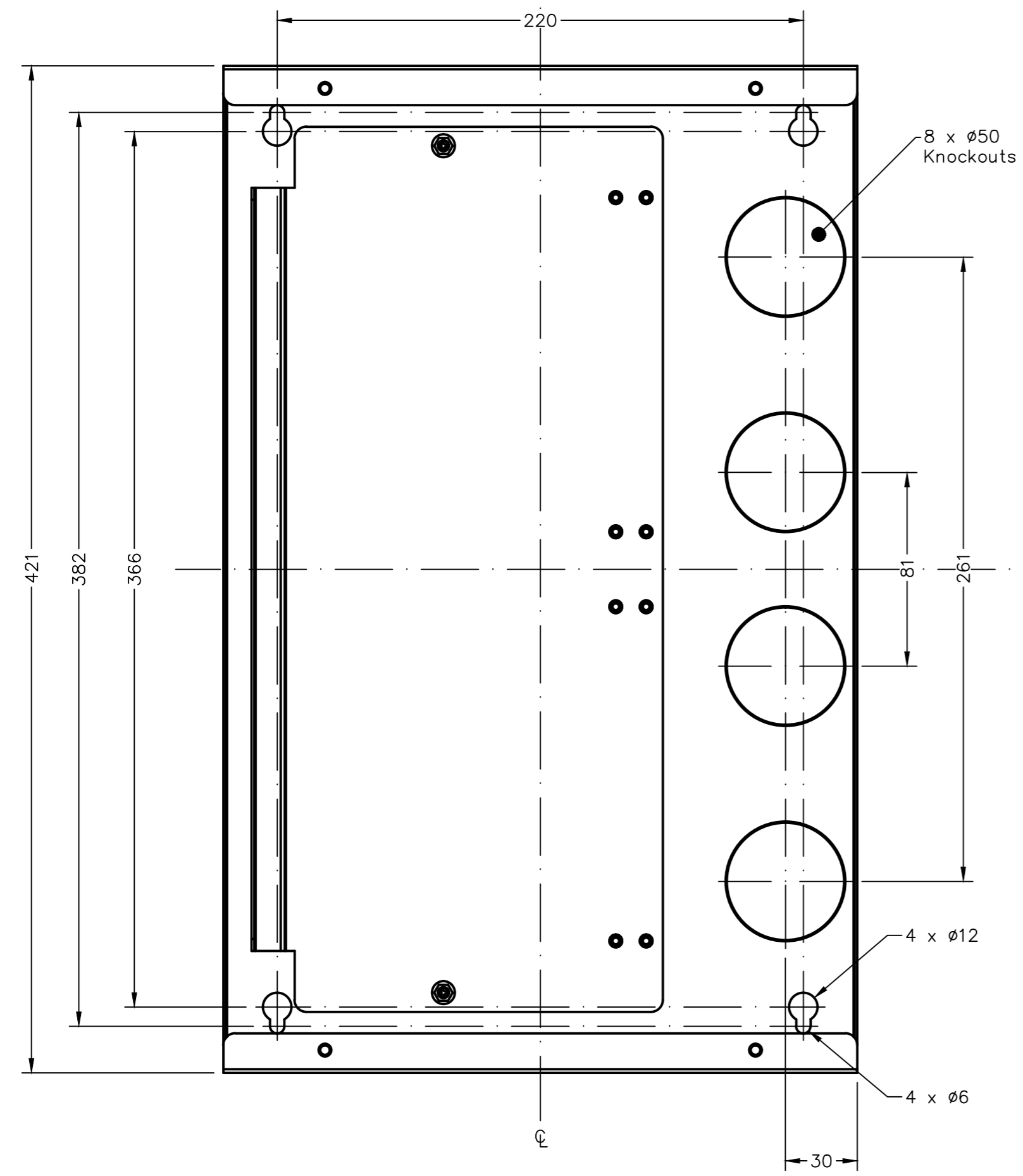
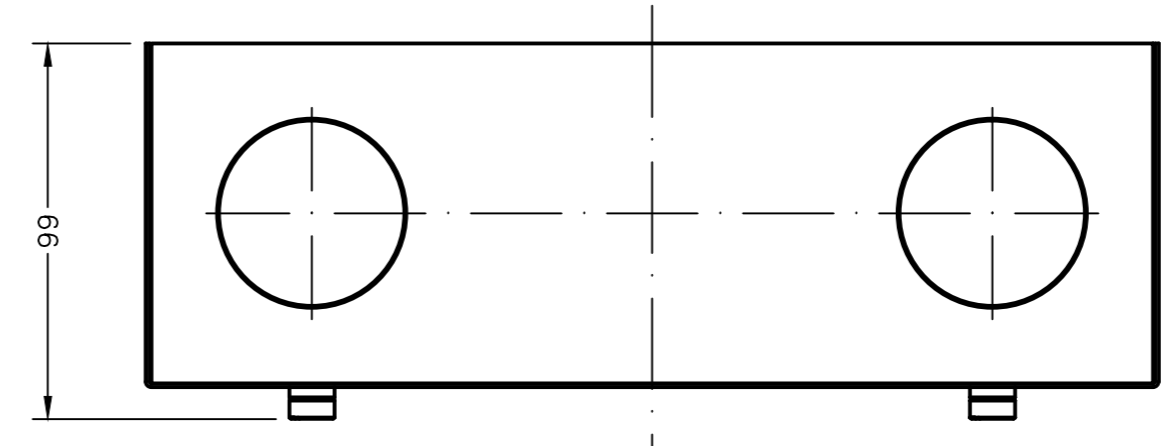
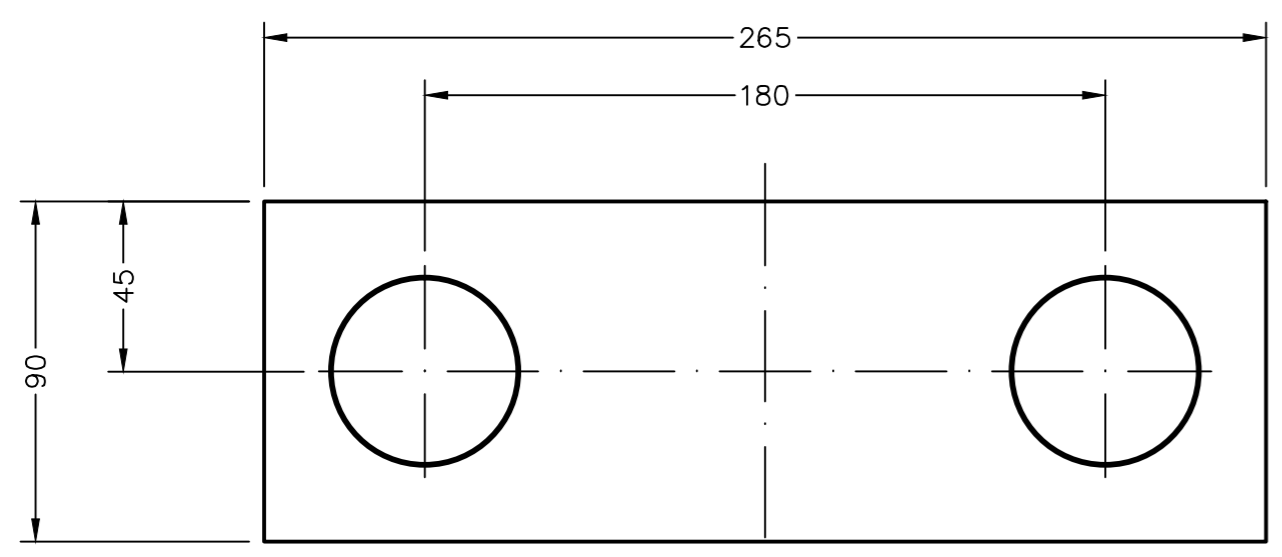


ONLY USE FOR CONSTRUCTION IF REV 'CKD' IS INITIALED!					
REV	ECN	DESCRIPTION	DATE	BY	CKD
A	12-0025	Initial Release	27.06.12	S.F.	S.F.



ASSEMBLY WITHOUT LID

ASSEMBLY WITH LID FITTED

DIMENSIONS IN MILLIMETRES
DIMENSIONAL LIMITS APPLY BEFORE COATING

COPYRIGHT This document is and shall remain the property of Honeywell Ltd. Unauthorised use of this document in any way is prohibited.

NOTIFIER
by Honeywell
9 Columbia Way
Norwest Business Park
Baulkham Hills
NSW 2153
Australia
Ph: +612 9894 1444
Fax: +612 9894 4193

TITLE: DGP-2 ASSEMBLY PRESENTATION DRAWING	
SYSTEM: N/A	
SHEET 1 OF 1	NOT TO SCALE
DWG No: DWG0877	
SIZE A2	