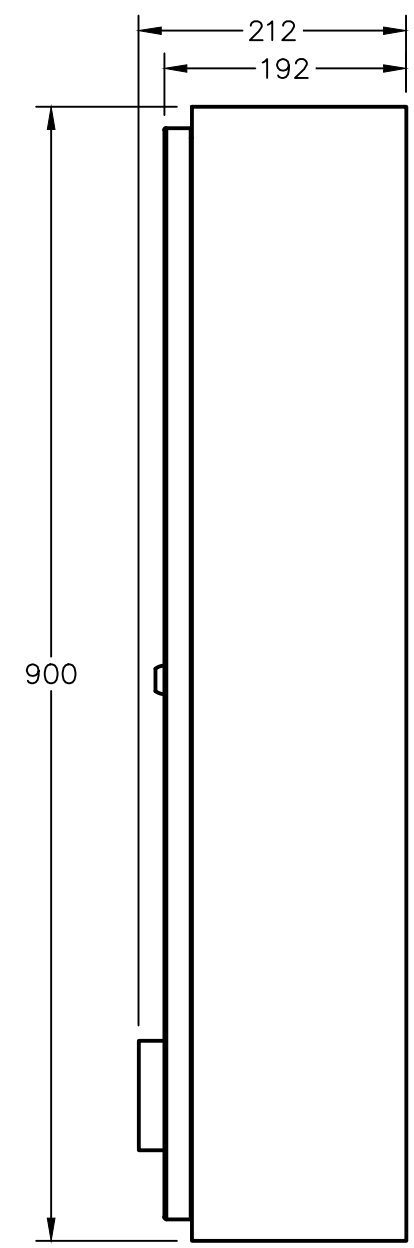
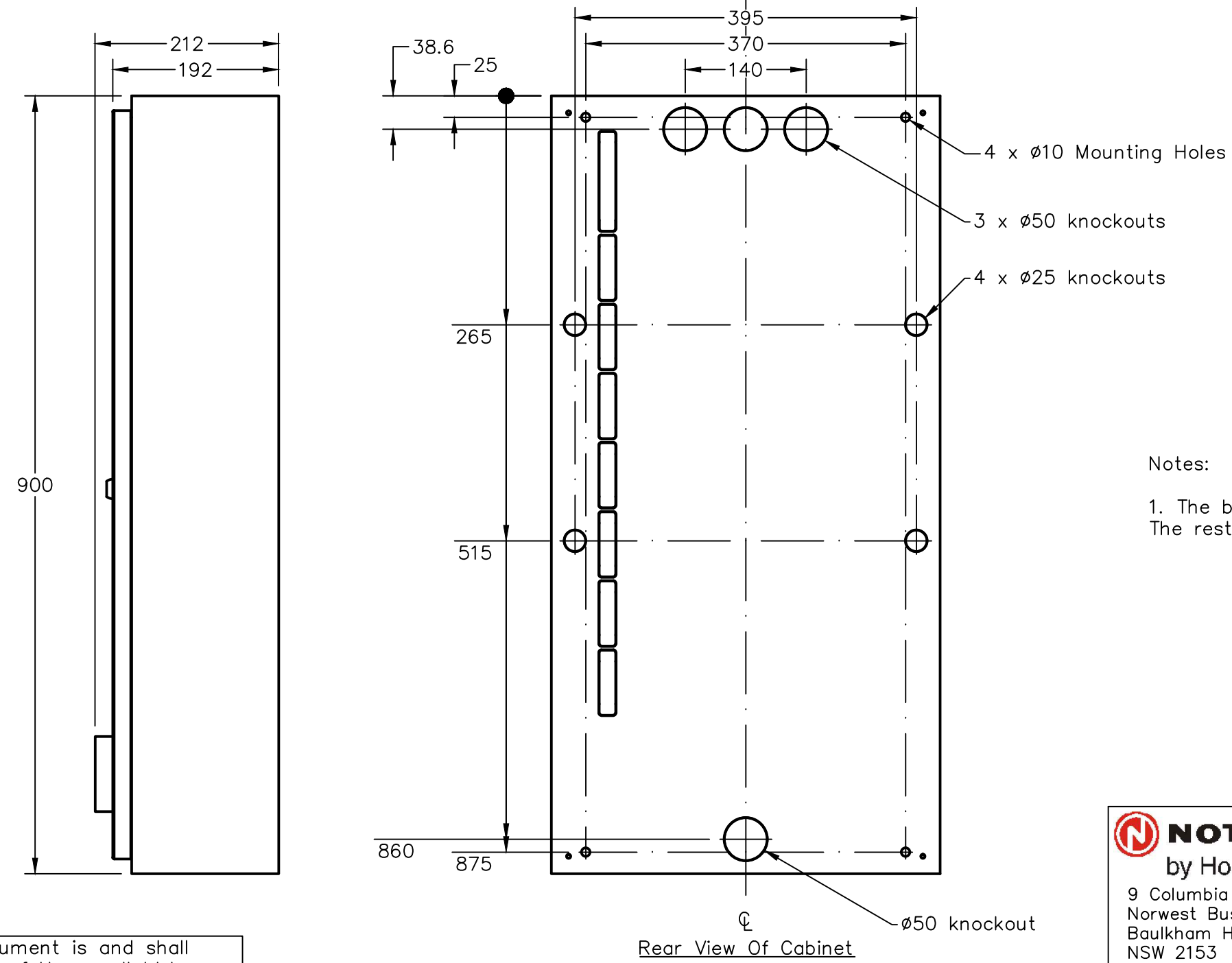
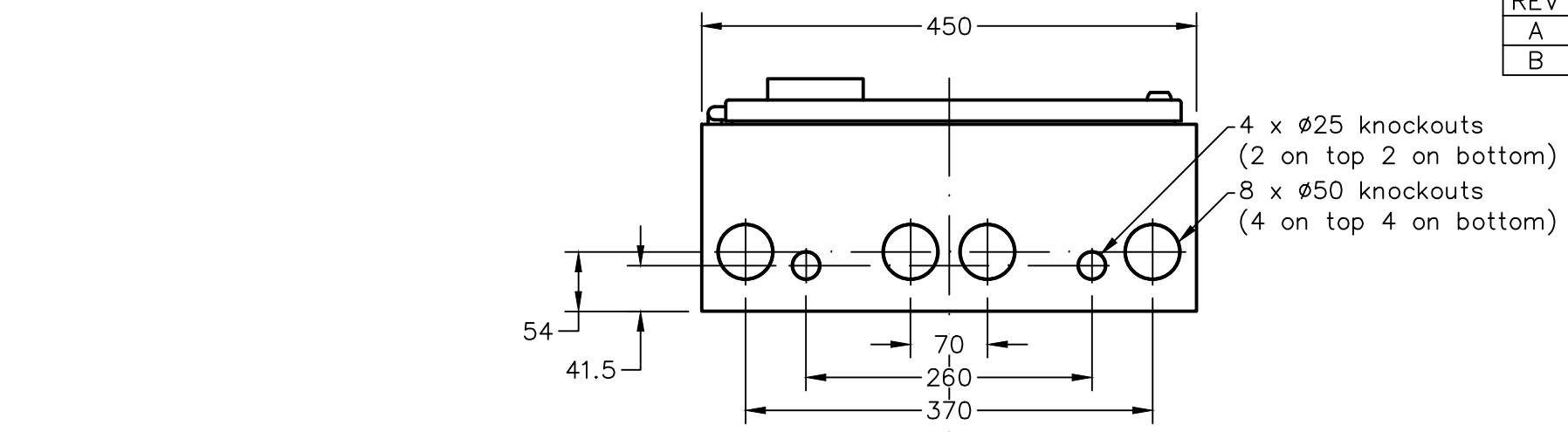


ONLY USE FOR CONSTRUCTION IF REV 'CKD' IS INITIALED!					
REV	ECN	DESCRIPTION	DATE	BY	CKD
A	09-121	First Release	15.03.10	G.W.	J.E.
B	13-0088	Completely redrawn	07.11.13	S.F.	C.B.



Notes:

1. The back of the cabinet only has the 4 mounting holes in it. The rest of the markings are knockouts.

DIMENSIONS IN MILLIMETRES
DIMENSIONAL LIMITS APPLY BEFORE COATING

NOTIFIER
by Honeywell
9 Columbia Way
Norwest Business Park
Baulkham Hills
NSW 2153
Australia
Ph: +612 9894 1444
Fax: +612 9894 4193

TITLE: CAB900 CABINET
MOUNTING & CABLE ENTRY DETAIL
PART No: N/A
SHEET 1 OF 1 NOT TO SCALE
DWG No: DWG0655
SIZE: A3

COPYRIGHT This document is and shall remain the property of Honeywell Ltd. Unauthorised use of this document in any way is prohibited.

Rear View Of Cabinet