



NOTIFIER[®]
by Honeywell

9 Columbia Way
Baulkham Hills, NSW 2153
PH 02-9894-1444 • FAX 02-9894-4193
www.notifier.com.au

ACM Annunciators Installation Sheet - Released

26/03/2015 Rev A

DOC-03-090

1 Product Overview

The ACM Annunciators (ACM-24AT, AEM-24AT, ACM-48A, and AEM-48A) are used to control and monitor the status of circuits connected to an addressable fire panel.

2 Installation



WARNING: Remove all power sources to the panel before installation. Leave the external and main power OFF until installation is complete.

2.1 Mounting an ACM Module

1. Open the outer and inner doors of the cabinet.
2. Remove an Annunciator Blank Plate from the inner door by unscrewing the two M3 Flanged Nuts and sliding the plate off the mounting studs.
3. Place the ACM Annunciator Module on the mounting studs in the empty annunciator slot, with the LEDs and annunciator windows facing the outer door.
4. Secure with two M3 Flanged Nuts.

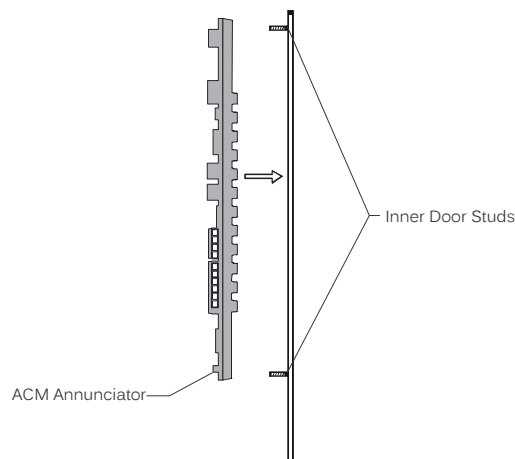


Figure 2-1 - Mounting the ACM Annunciator to an annunciator slot

2.2 Mounting an AEM Expander

1. Open the outer and inner doors of the cabinet.
2. Disconnect any cables running to the ACM Annunciator Module.
3. Remove the ACM Annunciator Module from the inner door by unscrewing the two M3 Flanged Nuts and sliding the module off the mounting studs. Repeat with blank plates in adjacent annunciator slots as required, dependent upon the number of expanders to be installed.
4. Carefully align the expansion headers on the ACM Annunciator Expander(s) to the ACM Annunciator Module and slide together to join (see Figure 2-2.)



NOTE: An ACM-24AT can accept three AEM-24AT expanders, for a total of 96 points at the same address. An ACM-48A accepts one AEM-48A expander, for a total of 96 points at the same address.

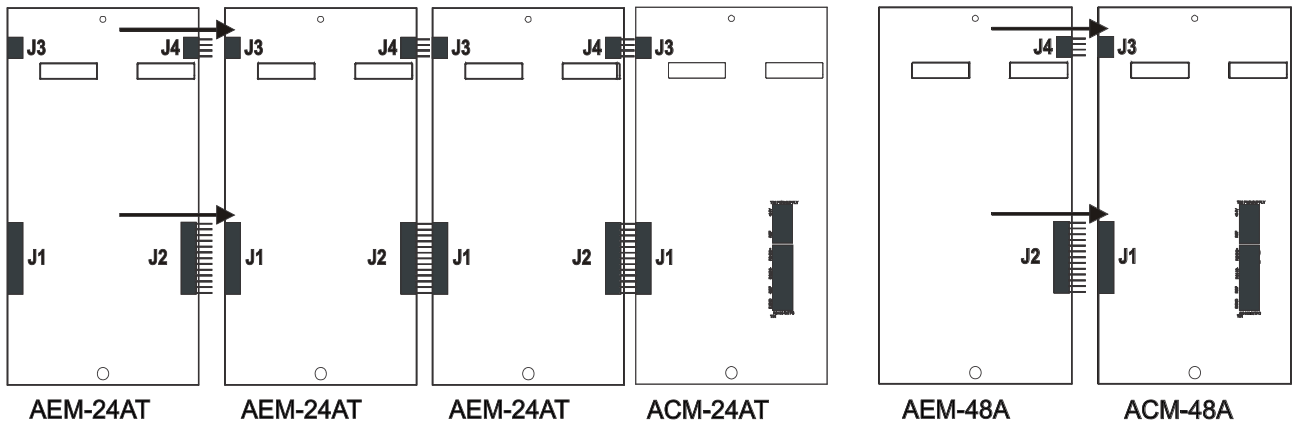


Figure 2-2 - Joining the ACM-24AT & ACM-48A to Expanders

5. Place the joined ACM Annunciator Module and Expander(s) on the mounting studs in the empty annunciator slots, with the switches and annunciator facing the outer door.
6. Secure with M3 Flanged Nuts.

2.3 Connections

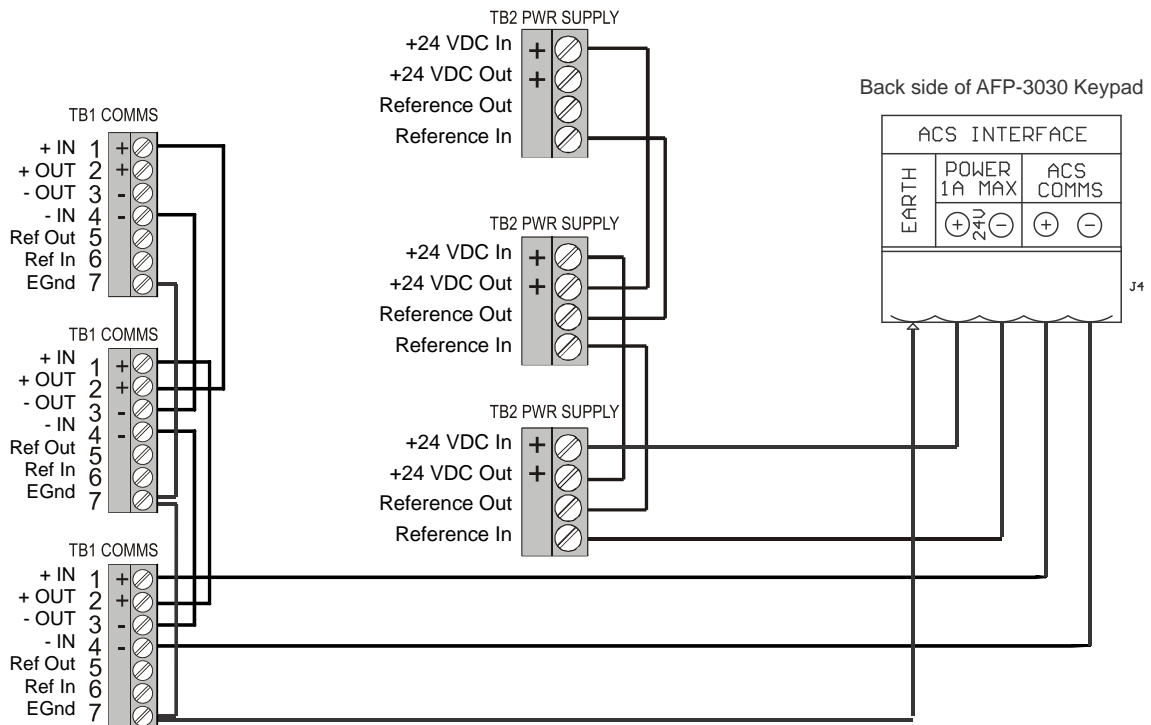


Figure 2-3 – ACS Comms (TB1) and Power (TB2) connections to the Keypad



NOTE: For installation in panels without a keypad, connect the ACS Annunciator to the ACS COMMS & 24V PANEL OUTPUT terminals on the AFP-3030 CPU, and connect EGnd to a grounded mounting screw on the cabinet.

3 Configuration

3.1 Setting the Address and Operating Modes

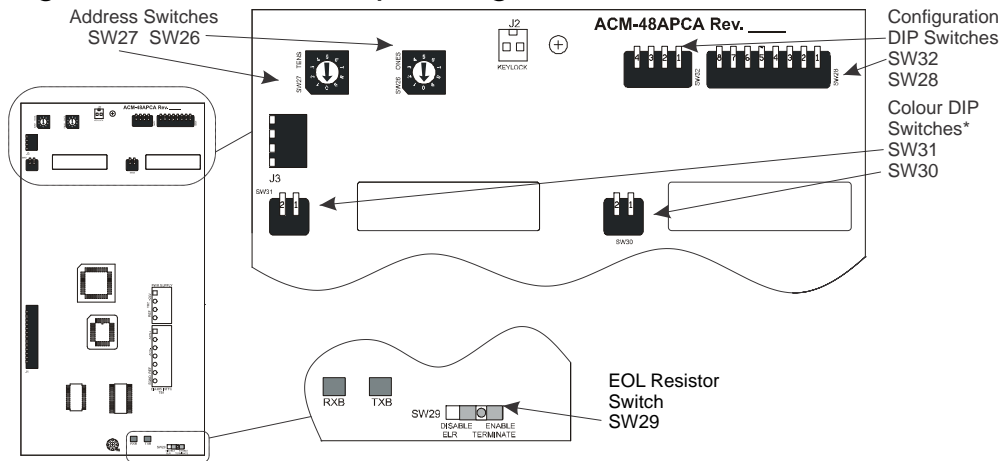


Figure 3-1 - Rotary address switches



NOTE: The available address range for the ACM Annunciator is 2-32 (inclusive.)

1. Set a unique address for the ACM Annunciator Module using the rotary address switches along the top of the module.
2. Set the operating mode using the DIP switches on the ACM Annunciator Module. See Table 1 for a description of the switch functions.
3. Configure annunciator points via the panel's keypad or through VeriFire Tools. Refer to the panel's *Programming Manual* for further information on programming the annunciator.
4. Create annunciator labels to match the annunciator point layout. See the Notifier website (www.notifier.com.au) for label templates.
5. Cut out and insert the labels in the label slots on the back of the annunciator.

Switch Bank	Switch No.	Default Setting	Description	Usage	
				ACM-24AT	ACM-48A
SW28	1	OFF	Turn 'ON' for manual override of control relays.	✓	✓
	2	OFF	Configures the number of expander modules. See Table 3 for details.	✓	✓
	3	OFF			
	4	OFF	Not used.	✗	✗
	5	OFF	Turn 'ON' for Receive Only mode, to mirror another annunciator at the same address in a different location.	✓	✓
	6	OFF	Turn 'ON' for Piezo Disable, to disable the buzzer from sounding for any event.	✓	✓
	7	OFF	Turn 'ON' for Switch Inhibit, to disable point control switches on the annunciator.	✓	✗
	8	OFF	Turn 'ON' for Flash Inhibit, to disable the flashing of LEDs for unacknowledged events. Also disables piezo.	✓	✓
SW32	1	OFF	Turn "ON" for Program Mode to cycle LED colours on ACM-24AT & expanders.	✓	✗
	2	OFF	Configures Speaker Control Mode. See <i>ACS Series Installation Manual</i> for details.		
	3	OFF		✓	✗
	4	OFF			

Switch Bank	Switch No.	Default Setting	Description	Usage	
				ACM-24AT	ACM-48A
SW30 (SW25**)	1	N/A	Sets colours of the first column of LEDs. See Table 2 for details.	X	✓
	2	N/A			
SW31 (SW26**)	1	N/A	Sets colours of the second column of LEDs. See Table 2 for details.	X	✓
	2	N/A			
SW29	-	DISABLE	Set to 'ENABLE' to install the built-in end-of-line resistor for the last device on the circuit.	✓	✓

**AEM-48A only

Table 1 – DIP Switches and Default Settings

LED Colour	DIP Switch Settings
Green	<p>ON Position OFF Position</p>
Red	
Yellow	
None	

Table 2 – LED Colour Configurations

No.	DIP Switch Settings
None	
1	
2†	
3†	

†ACM-24AT only

Table 3 - Number of Expanders

4 Supplemental Documentation

For information on...	Refer to...	Doc No.
Operating modes	ACS Series Installation Manual	15842
Programming	AFP-3030 Australian Programming Manual	DOC-01-032
	AFP-3030 New Zealand Programming Manual	DOC-01-038
	XLS-3000A Australian Programming Manual	DOC-01-035
	XLS-3000A New Zealand Programming Manual	DOC-01-041
	Notifier NCA-2 Australian Manual	DOC-01-043
	Notifier NCA-2 New Zealand Manual	DOC-01-045
	Honeywell NCA-2 Australian Manual	DOC-01-044
	Honeywell NCA-2 New Zealand Manual	DOC-01-046

Table 4 - Supplemental Documentation